

Linear actuator

Runner

Benefits

- High push/pull load
- Compact
- Back-up nut as standard
- High safety factor
- Silent operation

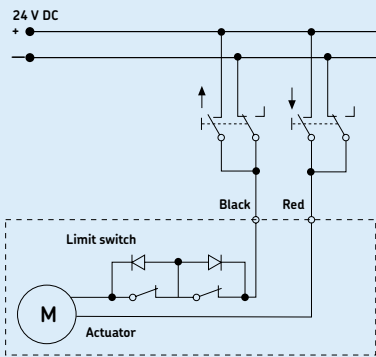


Suitable control units and accessories

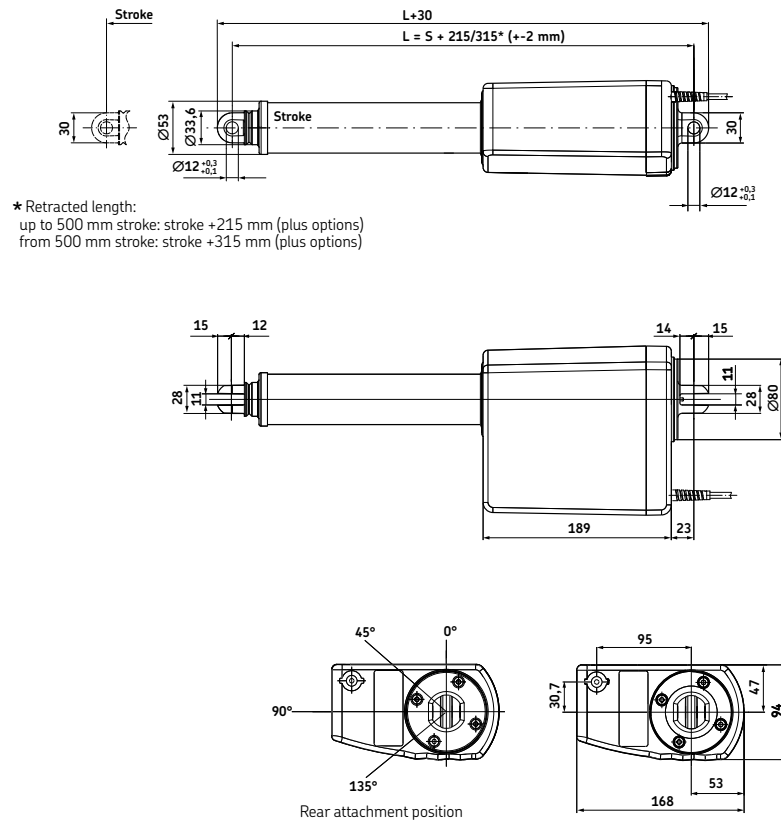
Control units		SCU 1	SCU 5	SCU 9	VCU 5	VCU 8	VCU 9	BCU 5	BCU 8
RU20, RU21, RU22		●	●	●	●	●	●	●	●
RU23, RU24, RU25		●	●	●	●	●	●	●	●
EHA 3		●	●	●	●	●	●	●	●
STJ		●	●	●	●	●	●	●	●
STE		●	●	●	●	●	●	●	●

Hand switch
 Foot switch
 Desk switch

Connecting diagram



Dimensional drawing



* Retracted length:
 up to 500 mm stroke: stroke +215 mm (plus options)
 from 500 mm stroke: stroke +315 mm (plus options)

Legend:
 S = stroke
 L = retracted length

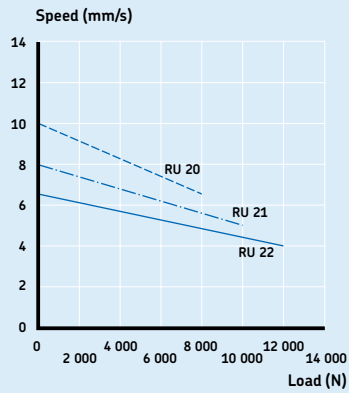
Technical data

	Unit	RU20	RU21	RU 22	RU23	RU24	RU25
Rated push load	N	8 000	10 000	12 000 ¹⁾	8 000	10 000	12 000 ¹⁾
Rated pull load	N	8 000	8 000	8 000	8 000	8 000	8 000
Speed (full load to no load)	mm/s	7 to 10	5 to 8	4 to 7	8 to 15	6 to 12	5 to 9
Stroke	mm	100 to 700	100 to 700	100 to 700	100 to 700	100 to 700	100 to 700
Retracted length	mm	S+215/315 ²⁾	S+215/315 ²⁾	S+215/315 ²⁾	S+215/315 ²⁾	S+215/315 ²⁾	S+215/315 ²⁾
Voltage	V DC	24	24	24	24	24	24
Power consumption	W	N/A	N/A	N/A	N/A	N/A	N/A
Current consumption	A	7	7	7	10	10	10
Duty cycle	%	10 (1/9)	10 (1/9)	10 (1/9)	10 (1/9)	10 (1/9)	10 (1/9)
Ambient temperature	°C	+10 to +40	+10 to +40	+10 to +40	+10 to +40	+10 to +40	+10 to +40
Type of protection	IP	×4/×6S	×4/×6S	×4/×6S	×4/×6S	×4/×6S	×4/×6S
Weight	kg	4,7	4,7	4,7	4,7	4,7	4,7
Color	–	Grey	Grey	Grey	Grey	Grey	Grey

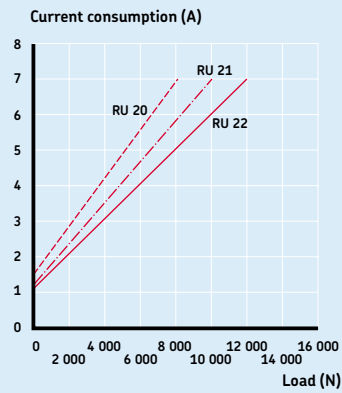
¹⁾ Safety working load for medical application is 10 000 N (EN 60601)

²⁾ S ≤ 500 mm; L = S + 215
 S > 500 mm; L = S + 315

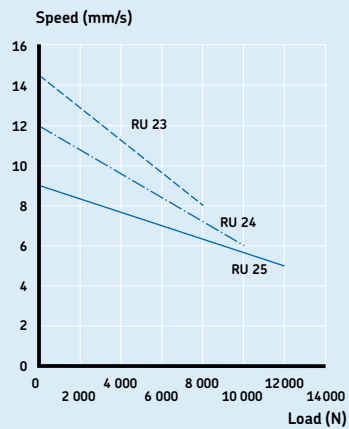
Performance diagrams



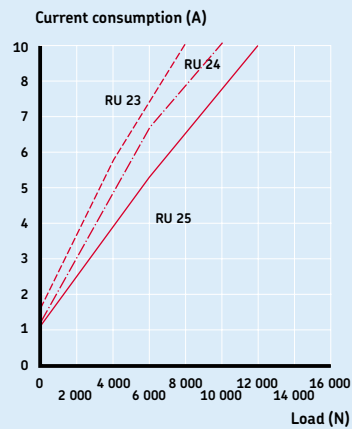
Speed-load diagram



Current-load diagram



Speed-load diagram

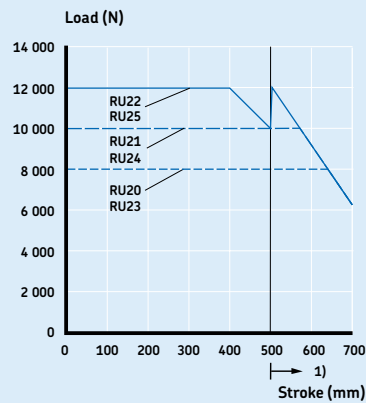


Current-load diagram

Safety factor load conditions



Push load limit, safety factor $S=4$
(EN 60601 1) retracted length extension
at stroke >500 mm



Push load limit, safety factor $S=2$
(EN 60601 1) retracted length extension
at stroke >500 mm

Ordering key

RU 2 - [] [] [] [] [] [] [] [] [] [] 00

Type

Voltage:
24 V DC

Load / Speed:

8 000 N / 7-10 mm/s	0
8 000 N / 8-15 mm/s	3
10 000 N / 5-8 mm/s	1
10 000 N / 6-12 mm/s	4
12 000 N / 4-7 mm/s	2
12 000 N / 5-9 mm/s	5

Stroke (S) / Retracted length (L):

50 mm / 315 mm	050315
100 mm / 315 mm	100315
150 mm / 365 mm	150365
200 mm / 415 mm	200415
250 mm / 465 mm	250465
300 mm / 515 mm	300515
350 mm / 565 mm	350565
400 mm / 615 mm	400615
450 mm / 665 mm	450665
500 mm / 715 mm	500715
550 mm / 865 mm	550865
600 mm / 915 mm	600915
650 mm / 965 mm	650965
700 mm / 1 015 mm	700 XXX
50<S≤500 mm / S+215	-----
500<S<700 mm / S+315	-----
S>700 mm (customized)	XXXXXX

Type of protection / Color:

IPx4S, grey	A
IPx6S, grey	B

Cable:

Straight cable, 1,5 m, DIN8 plug	15
Straight cable, 1,5 m, Jack plug 180°	0D

Rear attachment orientation / Hole diameter:

0° / Ø=12,0 mm	0
45° / Ø=12,0 mm	2
90° / Ø=12,0 mm	4
135° / Ø=12,0 mm	6

Option 1:

No option	0
<i>Electrical anti-pinching (safety switch), pull load, L+20 mm</i>	K
<i>Electrical anti-pinching (safety switch), push load, L+20 mm</i>	L

Option 2:

No option	0
2-Hall encoder, 14 pulses, DIN8 plug	A
Lifetime monitoring	M
2-Hall encoder, 14 pulses, DIN8 plug, lifetime monitoring	N

Option 3:

No option	-
<i>Emergency lowering, L+53 mm</i>	V

Options shown in italics are only available on demand. Contact SKF for more information on minimum quantities and additional costs.

© SKF is a registered trademark of the SKF Group

© SKF Group 2010

The contents of this publication are the copyright of the publisher and may not be reproduced (even extracts) unless prior written permission is granted. Every care has been taken to ensure the accuracy of the information contained in this publication but no liability can be accepted for any loss or damage whether direct, indirect or consequential arising out of the use of the information contained herein.

Printed in Sweden on environmentally friendly paper.

PUB L5321,2540 EN · May 2010

