

Telescopic pillar

Telemag TLG

Benefits

- High bending load
- Powerful

Standards

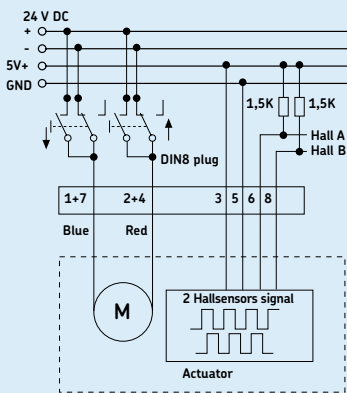
- EN/IEC 60601-1
- UL 60601-1



Suitable control units and accessories

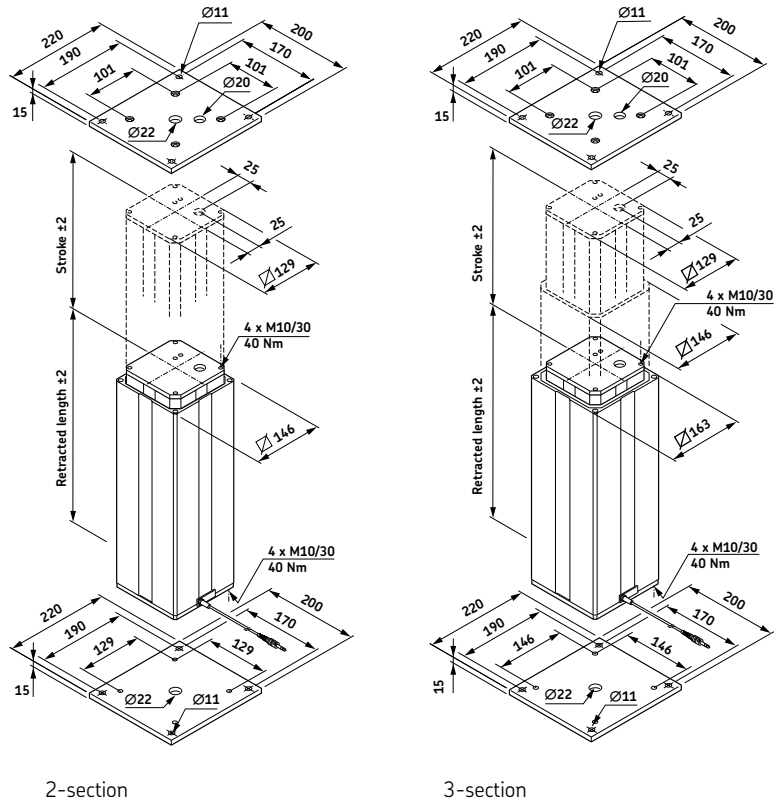
Control units		SCU 1	SCU 5	SCU 9	VCU 5	VCU 8	VCU 9	BCU 5	BCU 8	MCU
TLG		●	●	●	●	●	●	●	●	●
EHA1	Hand switch									●
EHA3	Hand switch	●	●	●	●	●	●	●	●	●
STF	Foot switch									●
STJ	Foot switch	●	●	●	●	●	●	●	●	●
STA	Desk switch									●
STE	Desk switch	●	●	●	●	●	●	●	●	●

Connecting diagram*



* Only valid with TLG11. TLG10 must be operated by a BCU, MCU, SCU or VCU control unit.

Dimensional drawing



Legend:
S = stroke
L = retracted length

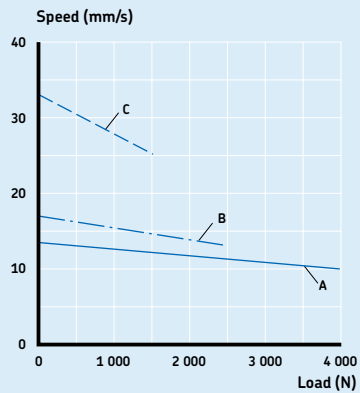
Note: mounting plates are not included.
To be ordered separately.

Technical data

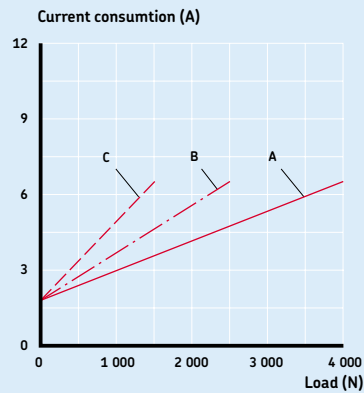
Unit	TLG 10/11-A	TLG 10/11-B	TLG 10/11-C	
Push load	N	4 000	2 500	1 500
Pull load	N	0	0	0
Max. bending load	Nm	up to 2 800*	up to 1 750*	up to 950*
Speed (full load to no load)	mm/s	10 to 14	13 to 17	25 to 33
Telescopic pillar version	# of section	2 or 3-section	2 or 3-section	2 or 3-section
Stroke	mm	200 to 700	200 to 700	200 to 700
Retracted length	mm	S+180	S+180	S+180
Voltage	V DC	24	24	24
Power	W	156	156	156
Current	A	6,5	6,5	6,5
Duty cycle: intermittent operation	min.	1 min./9 min	1 min./9 min	1 min./9 min
Duty cycle: short-time operation	min.	2,5	2,5	2,5
Ambient temperature	°C	+10 to +40	+10 to +40	+10 to +40
Type of protection	IP	30	30	30
Protection class	-	SELV	SELV	SELV
Type of control	-	electrical	electrical	electrical
Weight	kg	15-30	15-30	15-30

* For details, please see bending load diagrams

Performance diagrams

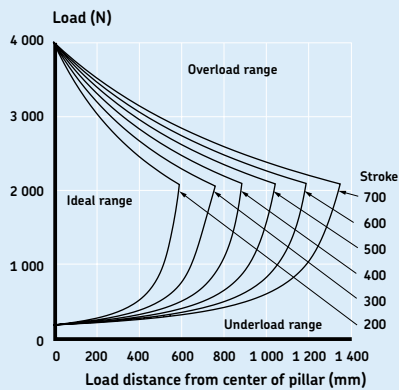


Speed-load diagram

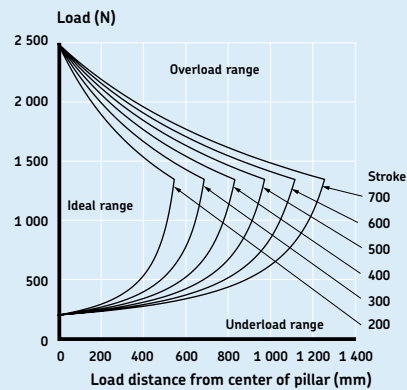


Current-load diagram

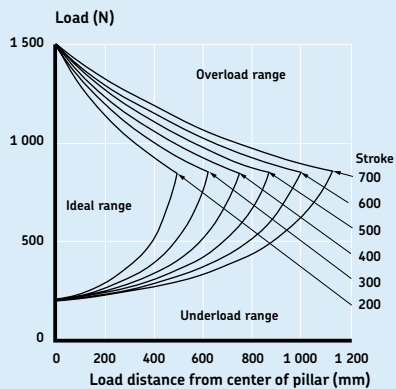
Bending load diagrams



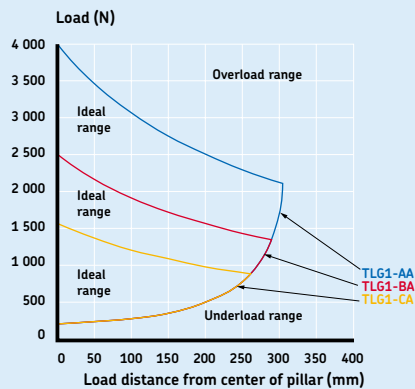
Bending load diagram TLG ...AD



Bending load diagram TLG ...BD



Bending load diagram TLG ...CD



Bending load diagram TLG...AA/BA/CA

Ordering key

TLG1 - - - - - 000

Type

Voltage:

24 V DC

24 V DC with integrated current cut-off

0

1

Load:

4 000 N

2 500 N

1 500 N

A

B

C

Tube set:

Tube set 2x

Tube set 3x

A

D

Stroke (S):

200 mm

300 mm

400 mm

500 mm

600 mm

700 mm

2

3

4

5

6

7

Cable / connecting plug:

Straight, 1,0 m / jack plug

Straight, 2,3 m / jack plug

Coiled, 0,6 m / jack plug

Straight, 1,0 m / DIN8 plug

Straight, 2,3 m / DIN8 plug

Coiled, 0,6 m / DIN8 plug

1

2

A

3

4

B

Option:

No option

Single encoder, 8 pulses, cable with jack plug

Potentiometer, 1 k Ω , 2 Watt, 0,25 % linearity, 10 turns

Cable feedthrough, 5 x 0,75 mm², led out, top +160 mm, bottom +800 mm

Cable feedthrough, single encoder

Cable feedthrough, potentiometer

Dual encoder, cable with DIN8 plug

Cable feedthrough, dual encoder, cable with DIN8 plug

0

A

B

C

D

E

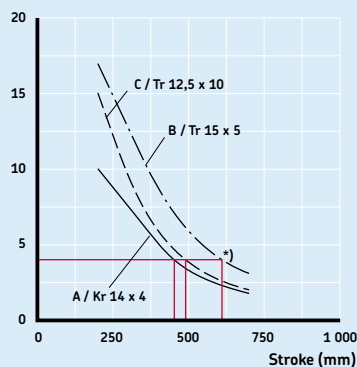
F

G

Options written in italic fonts are only available on demand. Please contact SKF

Safety factor load conditions

Safety factor



* Safety factor = 4

Accessories

Description	Designation	Order N°
Top mounting plate for 2 x tube set	SPL-290268	M/0125624
Bottom mounting plate for 2 x tube set	SPL-290351	M/0125625
Top mounting plate for 3 x tube set	SPL-290268	M/0125624
Bottom mounting plate for 3 x tube set	SPL-290265	M/0125623
Screw (4/plate) for mounting plate	ZBE-510707	M/0125360

© SKF is a registered trademark of the SKF Group

© SKF Group 2009

The contents of this publication are the copyright of the publisher and may not be reproduced (even extracts) unless prior written permission is granted. Every care has been taken to ensure the accuracy of the information contained in this publication but no liability can be accepted for any loss or damage whether direct, indirect or consequential arising out of the use of the information contained herein.

Printed in Sweden on environmentally friendly paper.

PUB L5322,1660 EN · September 2009

